



SIGN BASES



RubberForm Sign Bases are made in the USA from 100% post-consumer recycled rubber and plastic making it the most durable, attractive, and eco-friendly base on the market.

Our sign base can be deployed anywhere and is the preferred choice for parking lots, grocery stores, restaurants, plazas, construction sites, municipalities and more! It is the ideal solution for anywhere portable or semi-permanent signage is needed.

The RubberForm Sign Base was designed with a low center of gravity to ensure its ability to stay upright in severe weather and light enough to be tipped and rolled to another location. Combined with our recycled aluminum traffic signs, they make an excellent choice for eco-friendly companies.

Key Features

- Aerodynamic design – low center of gravity withstands strong winds
- Enhances safety and minimizes liability
- Supports any sign up to 24"
- Portable and easy to install – just tip and roll
- Made in the USA with 100% American recycled rubber
- Impact and weather resistant – will not warp, chip, crack, spall, or corrode



Made in the USA



100% Recycled Material



Increase LEED Score



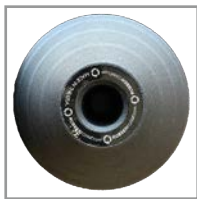


SIGN BASE SPECIFICATIONS

Models

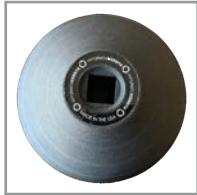
RF-SBRD

Sign Base: Round Post Hole



RF-SBSQ

Sign Base: Square Post Hole



RF-PPRD4/5/6/8

- Round plastic sign post with safety yellow cap
- 4, 5, 6, and 8 foot posts available



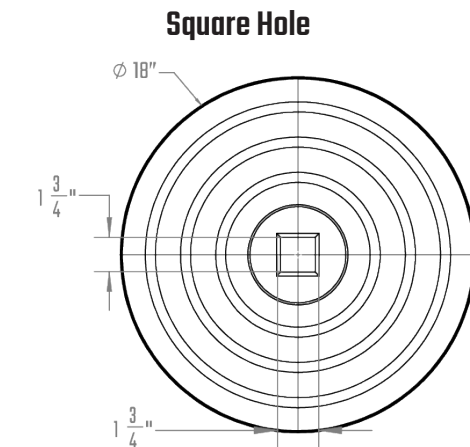
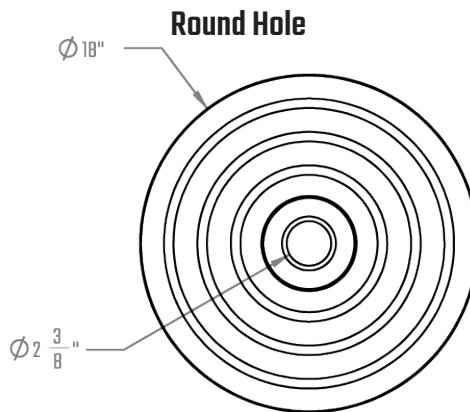
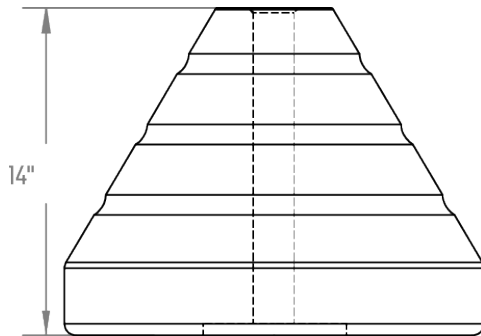
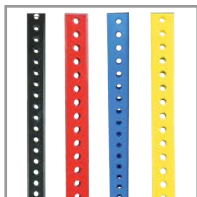
RF-MPSQ4/5/6/8/10

- Square steel perforated sign post
- 4, 5, 6, 8 and 10 foot posts available



RF-MPSQ5-PCBLK/RED/BLU/YLW

- 5 foot square steel perforated powder coated sign post
- Available colors: black, red, blue, and yellow



Specifications

- 18" Diameter
- 14" Height, Conical Shape
- 72 lbs – Under the 75 lbs OSHA occupational limit
- Low center of gravity for added stability

Sign Post Hole Options

- 2-3/8" Diameter Round Post Hole
- 1-3/4" Square Post Hole
- Other sizes available upon request

Hardware Kit

RF-SMHWK-RD

- Round Post Sign Mounting Hardware
- 2 bolts
- 4 washers
- Includes 2 fender washers for back of sign & 2 nyloc nuts

RF-SMHWK-SQ

- Square Post Sign Mounting Hardware
- 2 full thread bolts
- 2 washers
- 2 nyloc nuts

RF-SBMC-SM

- Sign base mover with closet hanger hole – 6" hard rubber wheels



www.sharpline-solutions.com



(626) 257-8328



sales@sharpline-solutions.com